

Service
Service
Service



Service Manual



Introduction of FW-C399/25/30/34

For Service documentation please refer to FW-C399 Service Manual 12NC: 3139 785 30031

FW-C399/25 refers to FW-C399/22 except the following adaptations:

385 2422 070 98147 Mains Cord

FW-C399/30 refers to FW-C399/22 except without RDS/NEWS and the following adaptations:

1. Mechanical & Accessories

101	3139 118 17081	Cabinet Front
128	3139 118 16750	Window Display
142	Deleted	
256	3139 114 73140	Panel Rear
385	2422 070 98148	Mains Cord
387	3139 115 21120	Instruction For Use

2. Front Board

Delete	1425, 1427, 1433, 2449 - 2455, 2479, 3510, 3530, 3576 - 3580, 5403, 6426, 7401	
2400	4822 124 41584	100uF 20% 10V
3432	4822 116 80176	1R 5% 0,5W
3433	4822 116 80176	1R 5% 0,5W
3511	4822 051 30103	10k 5% 0,062W
3581	4822 051 30103	10k 5% 0,062W

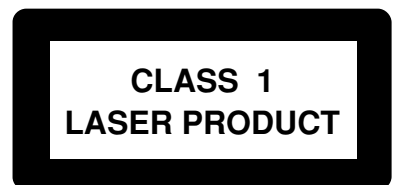
3. It refers to ECO6 Tuner Board - System Non-Cenelec /01 version.

FW-C399/34 refers to FW-C399/22 except the following adaptations:

1. Accessories

387 3139 115 21240 Instruction For Use

3. It refers to ECO6 Tuner Board - System Non-Cenelec /14 version.



© Copyright 2002 Philips Consumer Electronics B.V. Eindhoven, The Netherlands
All rights reserved. No part of this publication may be reproduced, stored in a retrieval system or transmitted, in any form or by any means, electronic, mechanical, photocopying, or otherwise without the prior permission of Philips.

Published by KC 0208 Service Audio Printed in The Netherlands Subject to modification



3139 785 30058

Version 1.0



PHILIPS

Service Information

Already published Service Informations: A02-159 3139 785 30073

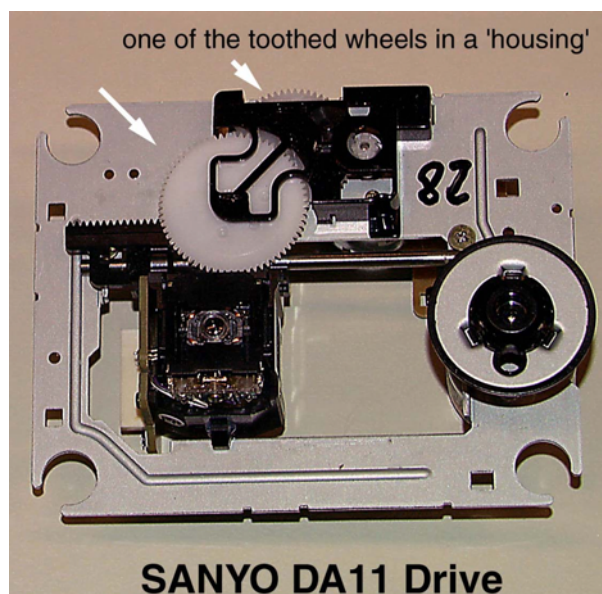
CHANGES DURING PRODUCTION

3CDC MODULE

* From production wk224 onwards a new 3CDC-LLC-DA11 module with Sanyo DA11 Drive is introduced as an alternative module.

The new module can be recognized by:

- the label on the left side of the module
- the additional housing over one of the toothed wheels as shown in the picture below



Enclosed is the complete new chapter 10 for the new module.

MMPWR 100W MODULE

* From wk238 onwards (begin with /37 versions) the following changes are made to improve reliability of the Power amplifier.

Delete:	2360, 2363, 3371 and 3374		
Add:	2361	5322 121 42386	100nF 10% 50V
	2364	5322 121 42386	100nF 10% 50V
	3372	4822 053 10478	4R7 5% 1W
	3374	4822 053 10478	4R7 5% 1W
Change:	2362 to	4822 121 43856	4,7nF 10% 50V
	2365 to	4822 121 43856	4,7nF 10% 50V
	7330 to	9322 182 31682	STK442-110i

All components are already provided as provision in the existing schematics & layout drawings.

Service Hints10-2
 Blockdiagram10-5
 Component Layout Main Board10-6
 Circuit Diagram part110-7
 Component Layout Main Board10-8
 Circuit Diagram part210-9
 Exploded View10-10
 Partlist10-12

TABLE OF CONTENTS



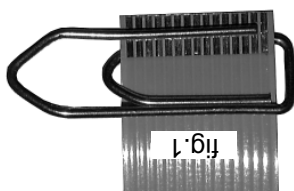
3CDC-LLC-DA11
(3 Disc Carousel Changer)
 Layout stage .3



CAUTION

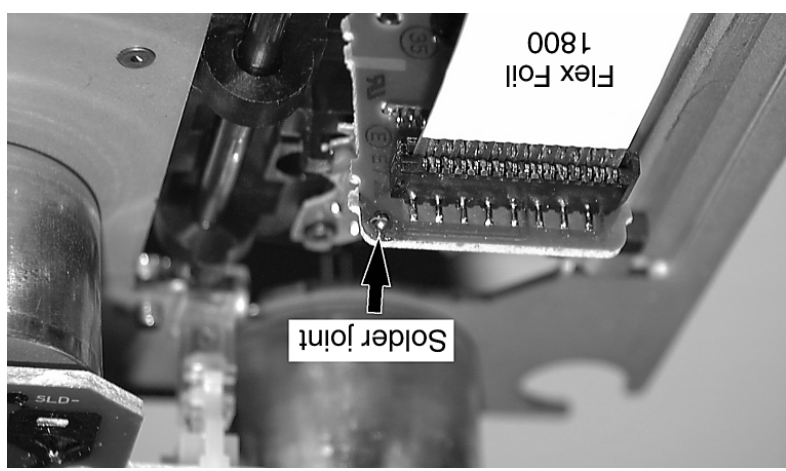
CHARGED CAPACITORS ON THE SERVO BOARD MAY DAMAGE THE CD DRIVE ELECTRONICS WHEN CONNECTING A NEW CD MECHANISM. THAT'S WHY, BESIDES THE SAFETY MEASURES LIKE SWITCH OFF POWER SUPPLY AND ESD PROTECTION ADDITIONAL ACTIONS MUST BE TAKEN BY THE REPAIR TECHNICIAN.

- The following steps have to be done when replacing the CD mechanism:
1. Disconnect flexfoil cable from the old CD drive
 2. Put a paperclip on the flexfoil to short-circuit the contacts (fig. 1)
 3. Remove the old CD drive
 4. Remove paperclip from the flexfoil and connect it to the new drive
 5. Position the new CD drive in its studs
 6. Remove solder joint from the Laserunit



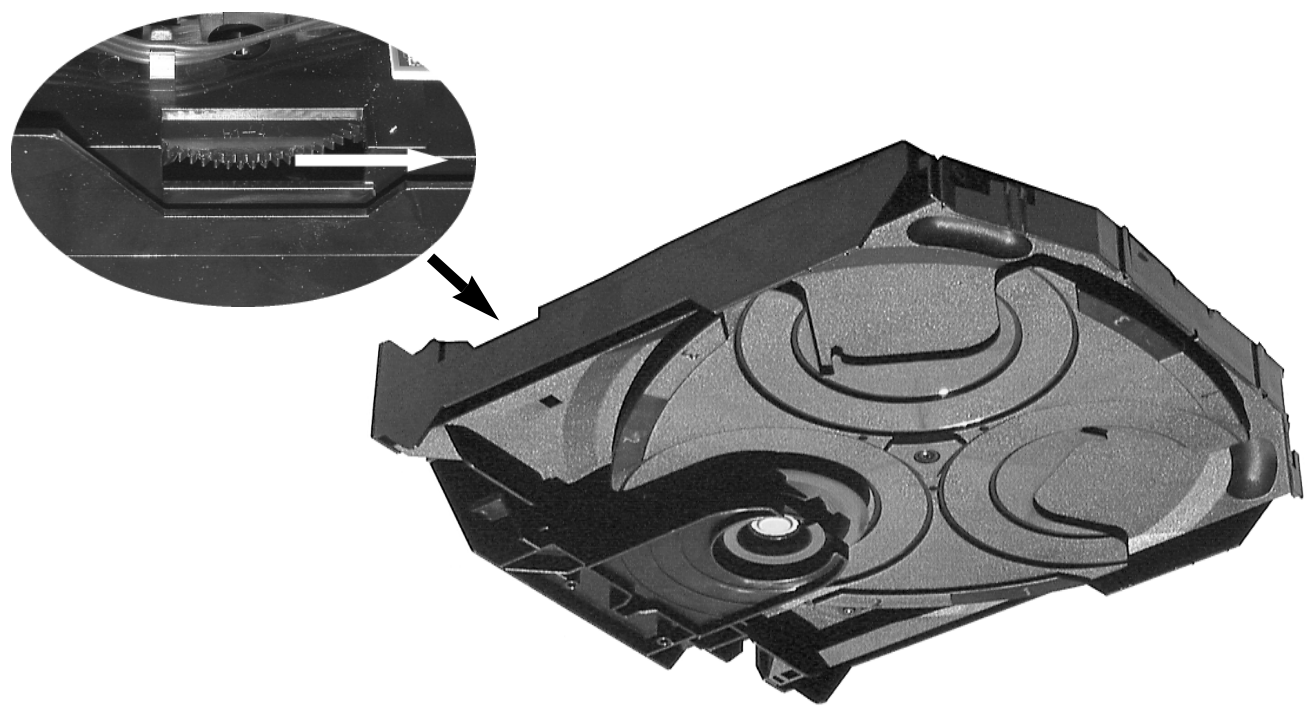
Attention: The laser diode of this CD drive is protected against ESD by a solder joint which shorts the laser diode to ground.

For proper functionality of the CD drive this solder joint must be removed **after** connection the drive to the set.



Emergency open

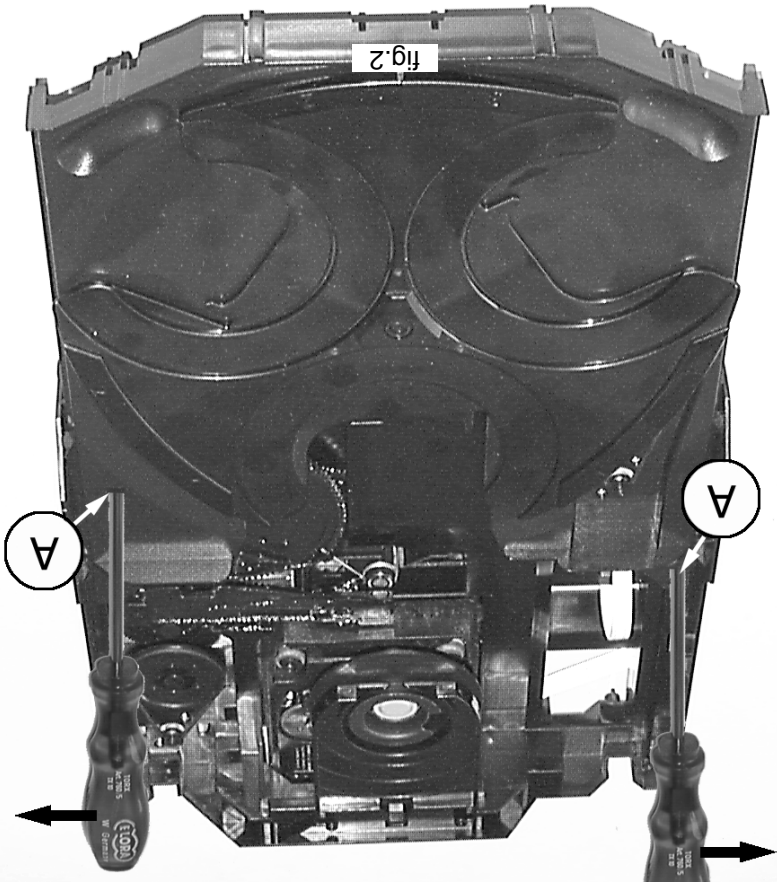
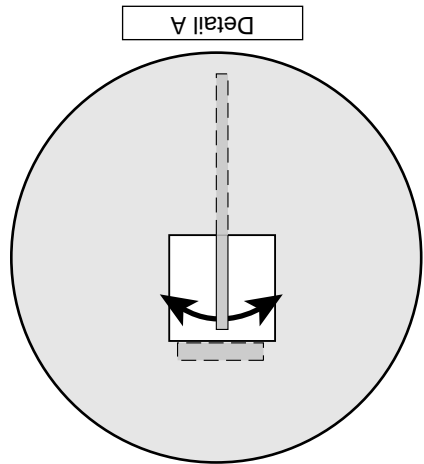
- In case of a Supply fault, the tray can be opened manually.
1. Remove the top cover of the set to get access to the Changer Module.
 2. Turn gearwheel clockwise (as shown in picture below).



Service hints

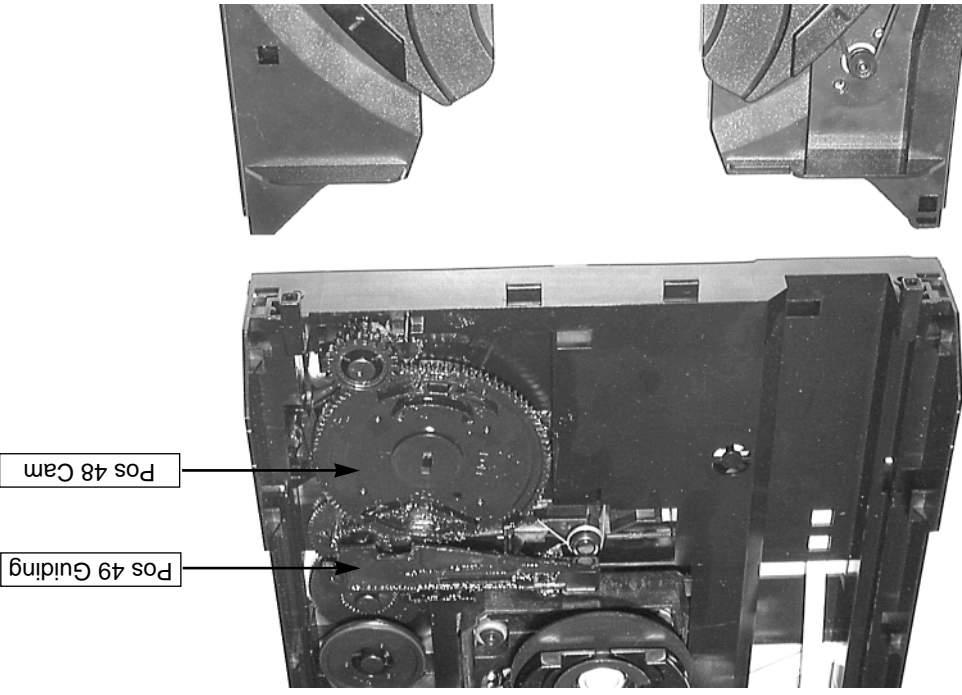
Dismantling of Tray

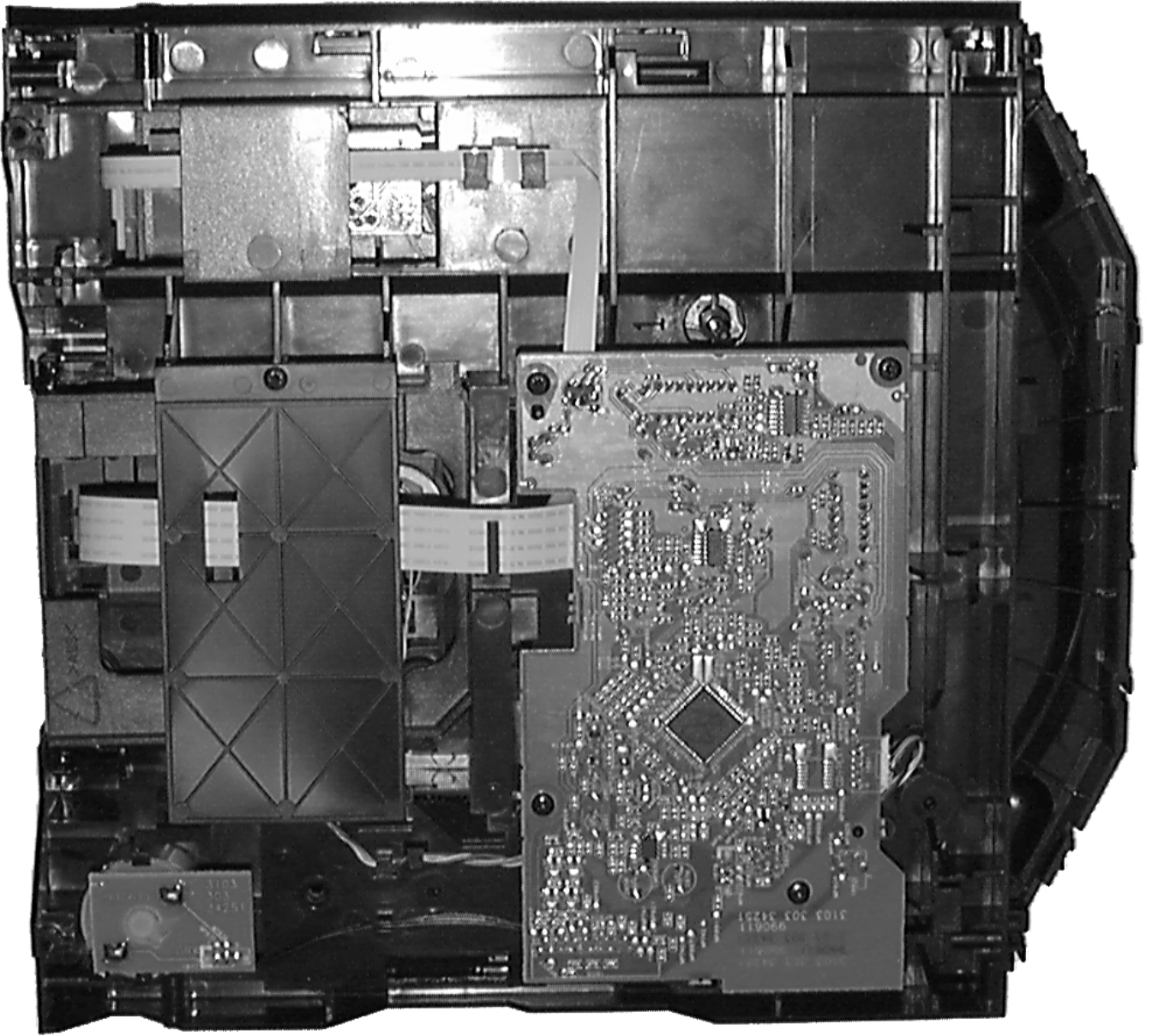
1. Open the tray.
2. Release 2x catch as shown in fig. 2 and Detail A
3. Pull tray out.



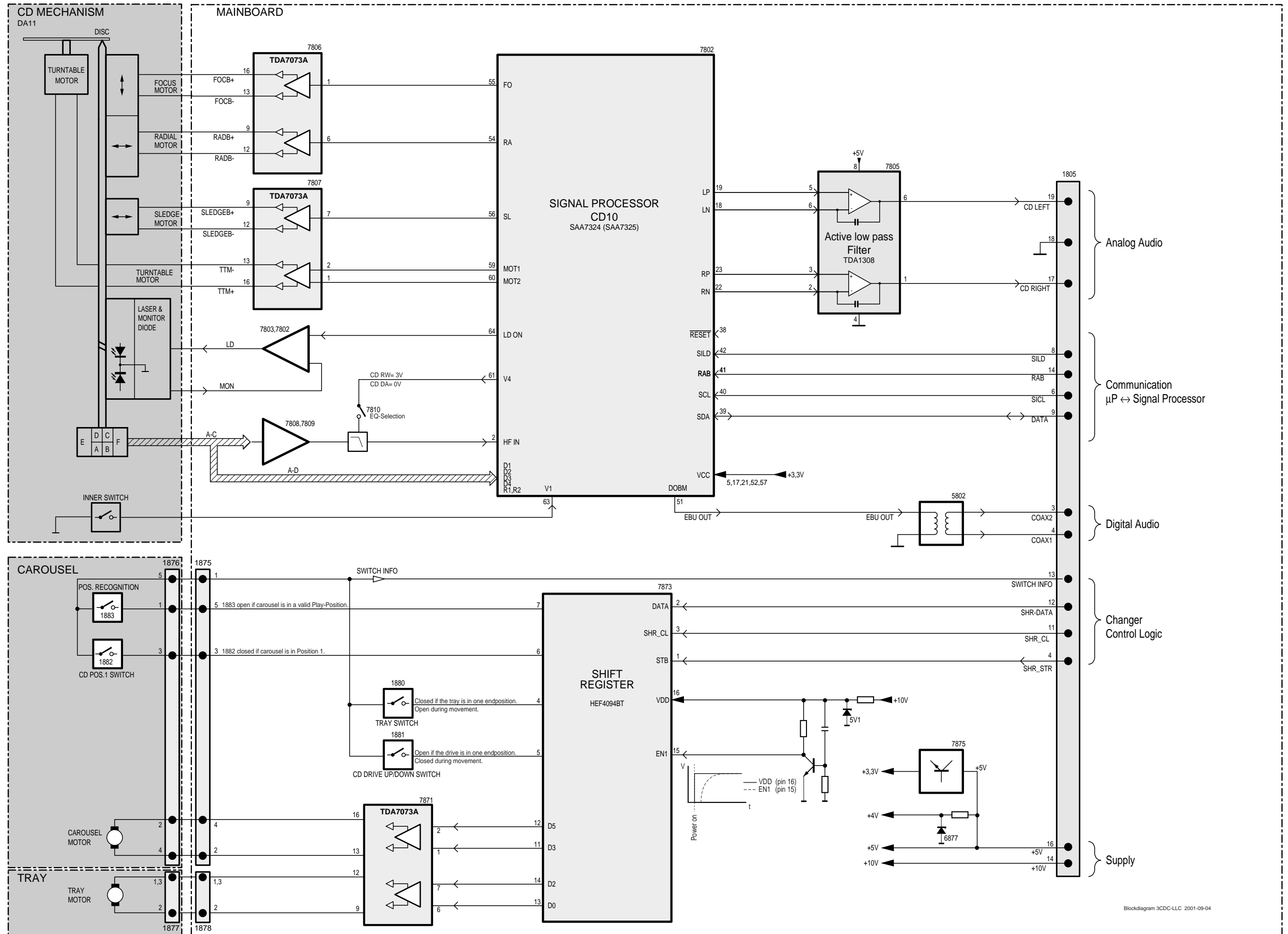
Assembling of Tray

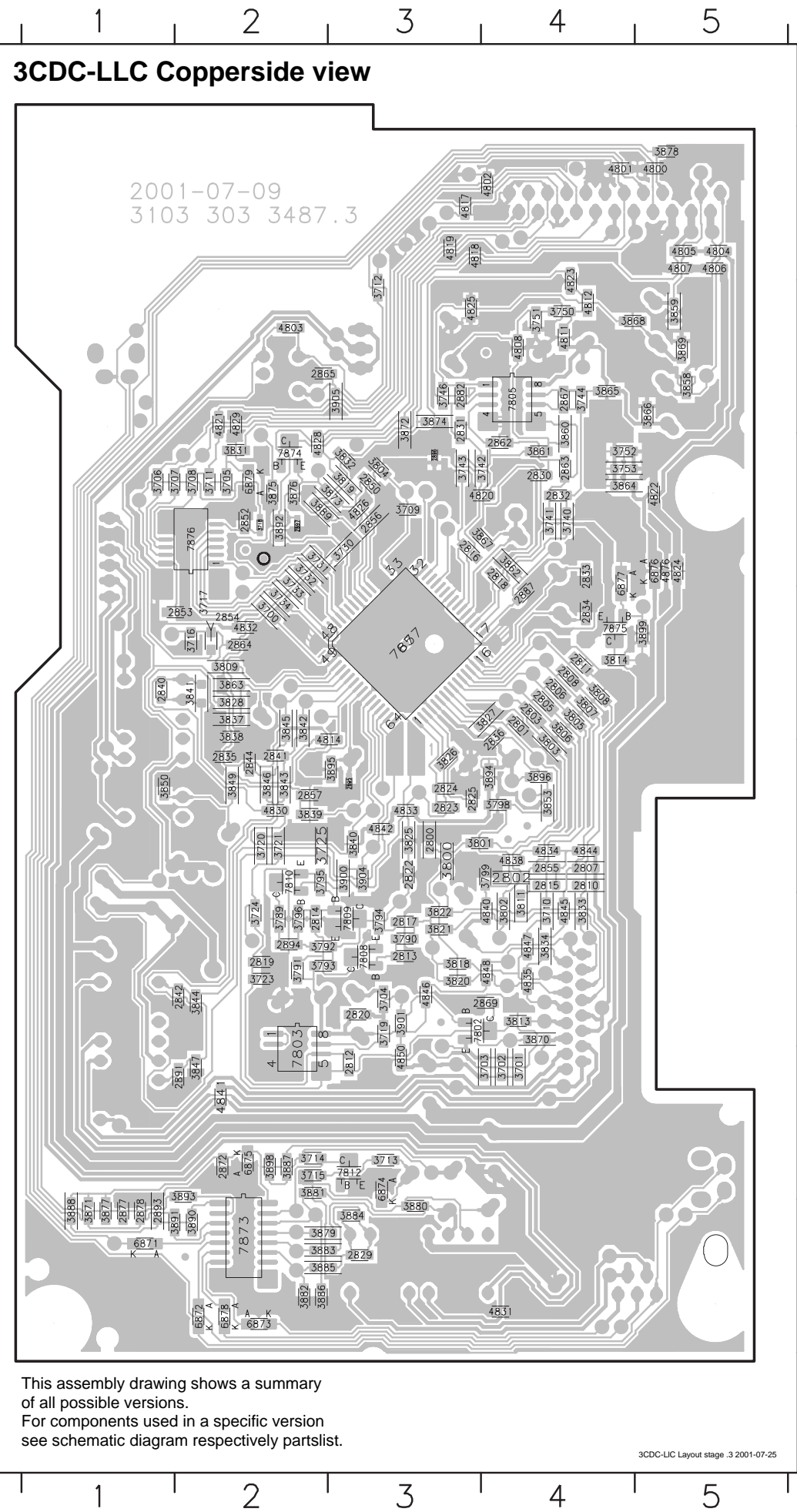
1. Turn Cam (pos. 48) clockwise to end position.
2. If necessary - move Guiding (pos. 49) to the right end position.
3. Insert the Tray.





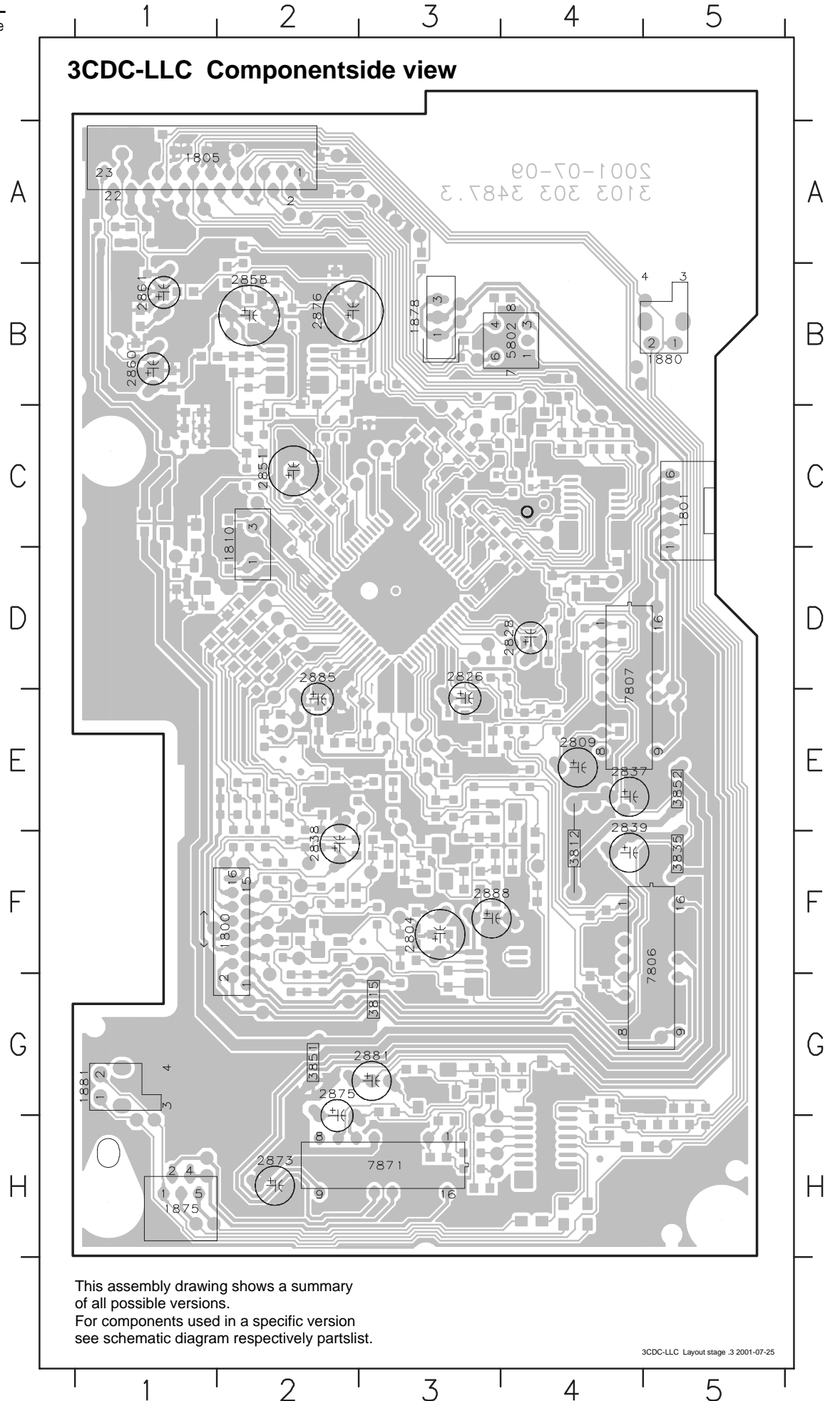
BLOCK DIAGRAM 3CDC-LLC-DA11



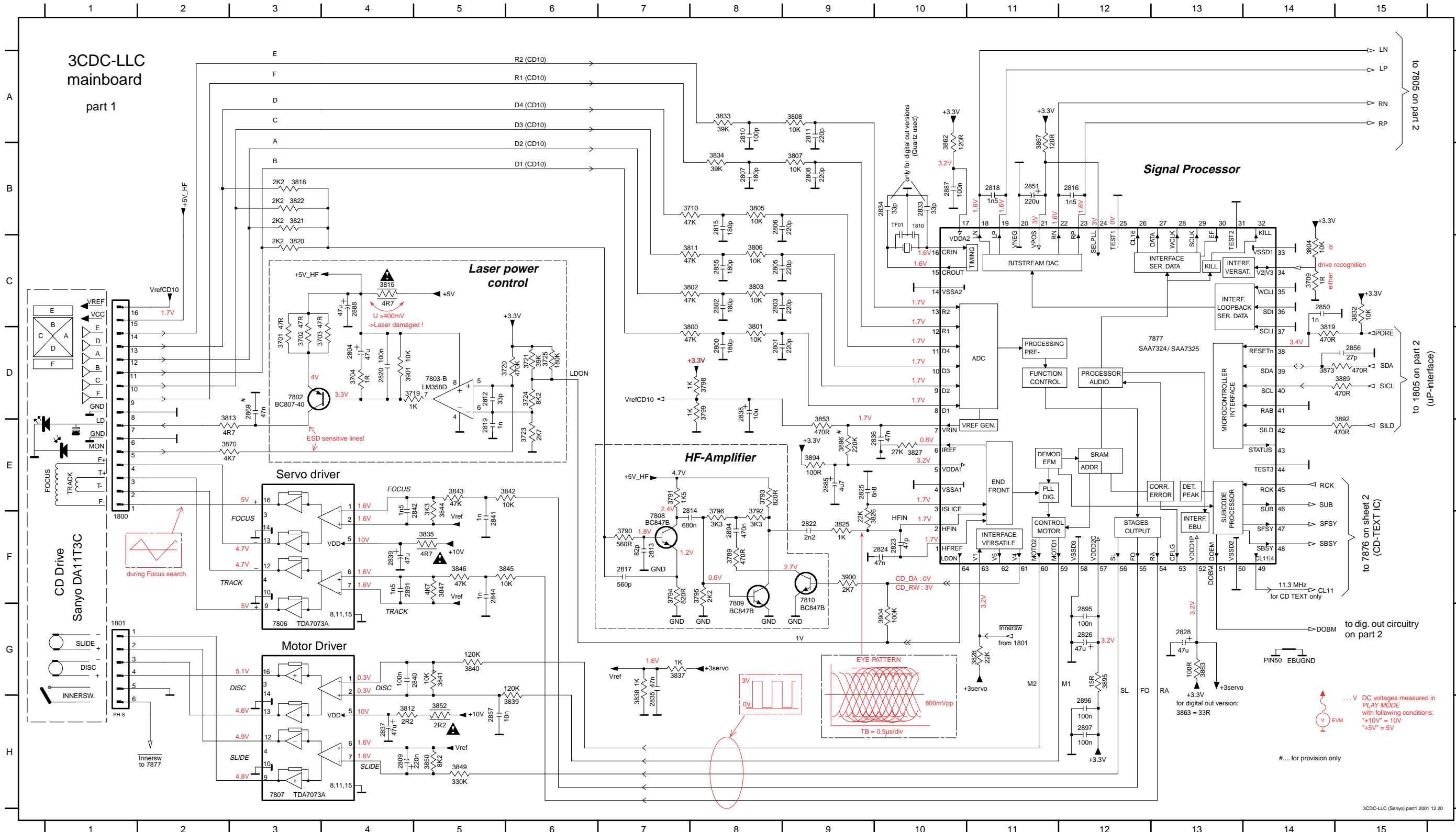


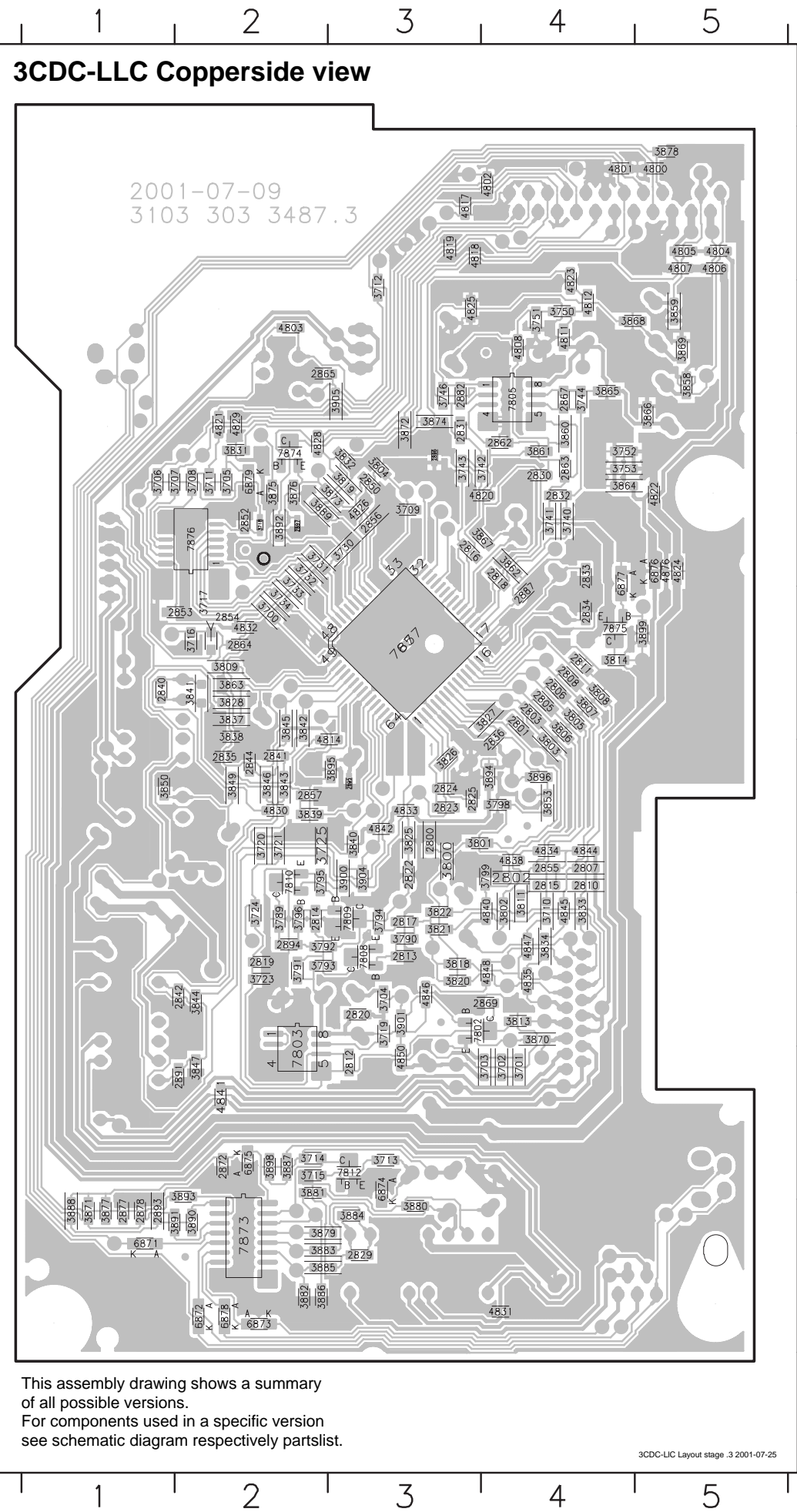
Mapping

Copperside		Componentside	
2800 E3	3741 C4	3889 C2	1800 F2
2801 D4	3742 C4	3890 H2	1801 C5
2802 E4	3743 C3	3891 H2	1805 A2
2803 D4	3744 B4	3892 C2	1810 C2
2805 D4	3746 B3	3893 G2	1875 H1
2806 D4	3750 B4	3894 E4	1878 B3
2807 E4	3751 B4	3895 E3	1880 B5
2808 D4	3752 C4	3896 E4	1881 G1
2810 E4	3753 C4	3898 G2	2804 F3
2811 D4	3789 F2	3899 D5	2809 E4
2812 G3	3790 F3	3900 E3	2826 D3
2813 F3	3791 F2	3901 F3	2828 D4
2814 F2	3792 F3	3904 E3	2837 E5
2815 E4	3793 F3	3905 B3	2838 F2
2816 C3	3794 F3	4800 A5	2839 E5
2817 F3	3795 E2	4801 A4	2851 C2
2818 C4	3796 F2	4802 A4	2858 B2
2819 F2	3798 E4	4803 B2	2860 B1
2820 F3	3799 E4	4804 A5	2861 B1
2822 E3	3800 E3	4805 A5	2873 H2
2823 E3	3801 E4	4806 A5	2875 G3
2824 E3	3802 F4	4807 A5	2876 B2
2825 E3	3803 D4	4808 B4	2881 G3
2829 H3	3804 C3	4811 B4	2885 D2
2830 C4	3805 D4	4812 B4	2888 F4
2831 B3	3806 D4	4814 D3	3812 F4
2832 C4	3807 D4	4817 A3	3815 G3
2833 C4	3808 D4	4818 A3	3835 F5
2834 D4	3809 D2	4819 A3	3851 G2
2835 E2	3811 F4	4820 C4	3852 E5
2836 D4	3813 F4	4821 B2	5802 B4
2840 D1	3814 D4	4822 C5	7806 F5
2841 E2	3818 F3	4823 A4	7807 D5
2842 F2	3819 C3	4824 C5	7871 H3
2844 E2	3820 F3	4825 B3	
2850 C3	3821 F3	4826 C3	
2852 C2	3822 F3	4828 C2	
2853 D2	3825 E3	4829 B2	
2854 D2	3826 E3	4830 E2	
2855 E4	3827 D4	4831 H4	
2856 C3	3828 D2	4832 D2	
2857 E2	3831 C2	4833 E3	
2862 C4	3832 C3	4834 E4	
2863 C4	3833 F4	4835 F4	
2864 D2	3834 F4	4838 E4	
2865 B3	3837 D2	4840 F4	
2867 B4	3838 D2	4841 G2	
2869 F4	3839 E2	4842 E3	
2872 G2	3840 E3	4844 E4	
2877 H1	3841 D2	4845 F4	
2878 H1	3842 D2	4846 F3	
2882 B3	3843 E2	4847 F4	
2887 C4	3844 F2	4848 F4	
2891 G2	3845 D2	4850 G3	
2893 H1	3846 E2	4876 C5	
2894 F2	3847 G2	6871 H1	
2895 E3	3849 E2	6872 H2	
2896 C3	3850 E1	6873 H2	
2897 C2	3853 E4	6874 G3	
3700 D2	3858 B5	6875 G2	
3701 G4	3859 B5	6876 C5	
3702 G4	3860 B4	6877 C4	
3703 G4	3861 C4	6878 H2	
3704 F3	3862 C4	6879 C2	
3705 C2	3863 D2	7802 F4	
3706 C1	3864 C4	7803 F2	
3707 C2	3865 B4	7805 B4	
3708 C2	3866 B5	7808 F3	
3709 C3	3867 C4	7809 F3	
3710 F4	3868 B5	7810 E2	
3711 C2	3869 B5	7812 G3	
3712 A3	3870 F4	7873 H2	
3713 G3	3871 H1	7874 C2	
3714 G2	3872 B3	7875 D4	
3715 G2	3873 C3	7876 C2	
3716 D2	3874 B3	7877 D3	
3717 D2	3875 C2		
3718 C2	3876 C2		
3719 F3	3877 H1		
3720 E2	3878 A5		
3721 E2	3879 H3		
3723 F2	3880 G3		
3724 F2	3881 G2		
3725 E2	3882 H2		
3730 C3	3883 H3		
3731 C2	3884 H3		
3732 C2	3885 H3		
3733 C2	3886 H2		
3734 D2	3887 G2		
3740 C4	3888 H1		



1800 F1	2804 D4	2811 A9	2818 B11	2826 G12	2838 D8	2851 B11	2888 C4	3702 D3	3721 D6	3792 F8	3800 D8	3807 B9	3819 D14	3828 G11	3839 H6	3846 F5	3863 G13	3895 G12	7803-B D5	MP713 C9	MP743 D2	MP813 B3	MP820 F8	MP837 D4	MP844 E9	MP851 E2	MP873 H4	MP884 C5
1801 G1	2805 C8	2812 D5	2819 E5	2828 G13	2839 F4	2855 C8	2891 F4	3703 D3	3723 E6	3793 E8	3801 D8	3808 A9	3820 C3	3832 C15	3840 G5	3847 F5	3867 A11	3896 E9	7806 G3	MP715 D9	MP744 C2	MP814 G2	MP821 C15	MP838 G6	MP845 F4	MP852 G2	MP875 F13	MP893 F10
1810 B10	2806 B8	2813 F7	2820 D4	2833 B10	2840 G4	2856 D15	2894 F8	3704 D4	3724 D6	3794 F7	3802 C8	3811 C6	3821 B3	3833 A8	3841 G5	3849 H5	3870 E2	3900 F9	7807 H3	MP716 B9	MP745 E2	MP815 B3	MP827 B10	MP839 G6	MP846 H2	MP853 G2	MP876 E2	
2800 D8	2807 B8	2814 F7	2822 F9	2834 B10	2841 F5	2857 H5	2895 G12	3709 C14	3725 D6	3795 F8	3803 C8	3812 H4	3822 B3	3834 B8	3842 E6	3850 H5	3873 D14	3901 D4	7808 F7	MP717 A9	MP800 E2	MP816 A3	MP828 G11	MP840 E6	MP847 H2	MP858 G8	MP877 E3	
2801 D8	2808 B9	2815 B8	2823 F10	2835 H7	2842 E5	2869 D3	2896 H12	3710 B8	3789 F8	3796 F8	3804 C14	3813 E2	3825 F9	3835 F5	3843 E5	3852 H5	3889 D15	3904 G10	7809 G8	MP729 B9	MP802 B15	MP817 A3	MP829 A3	MP841 F6	MP848 E2	MP859 E10	MP878 B13	
2802 C8	2809 H4	2816 B12	2824 F10	2836 E10	2844 F5	2885 E9	2897 H12	3719 D4	3790 F7	3798 D8	3805 B8	3815 C4	3826 F9	3837 G7	3844 E5	3853 E9	3892 E15	7802 D3	7810 F9	MP730 C9	MP809 D10	MP818 C4	MP831 A4	MP842 H6	MP849 E2	MP860 C2	MP879 B11	
2803 C8	2810 A8	2817 F7	2825 E9	2837 H4	2850 C14	2887 B10	3701 D3	3720 D5	3791 E7	3799 D8	3806 C8	3818 B3	3827 E10	3838 H7	3845 F6	3862 A10	3894 E9	7803-A B5	7877 D12	MP731 B13	MP812 G2	MP819 F10	MP836 D3	MP843 G7	MP850 E2	MP872 C15	MP883 C4	

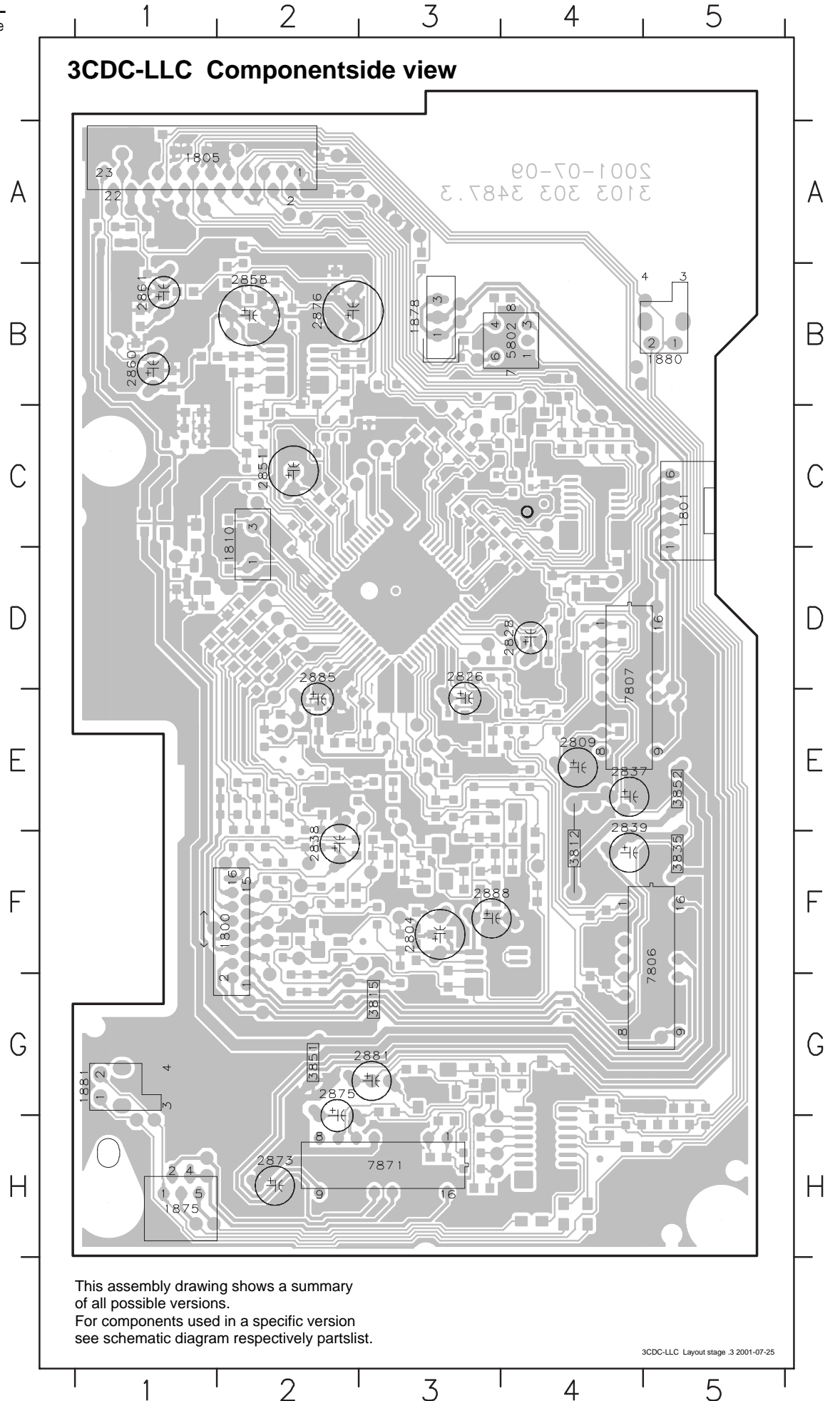




This assembly drawing shows a summary of all possible versions. For components used in a specific version see schematic diagram respectively partlist.

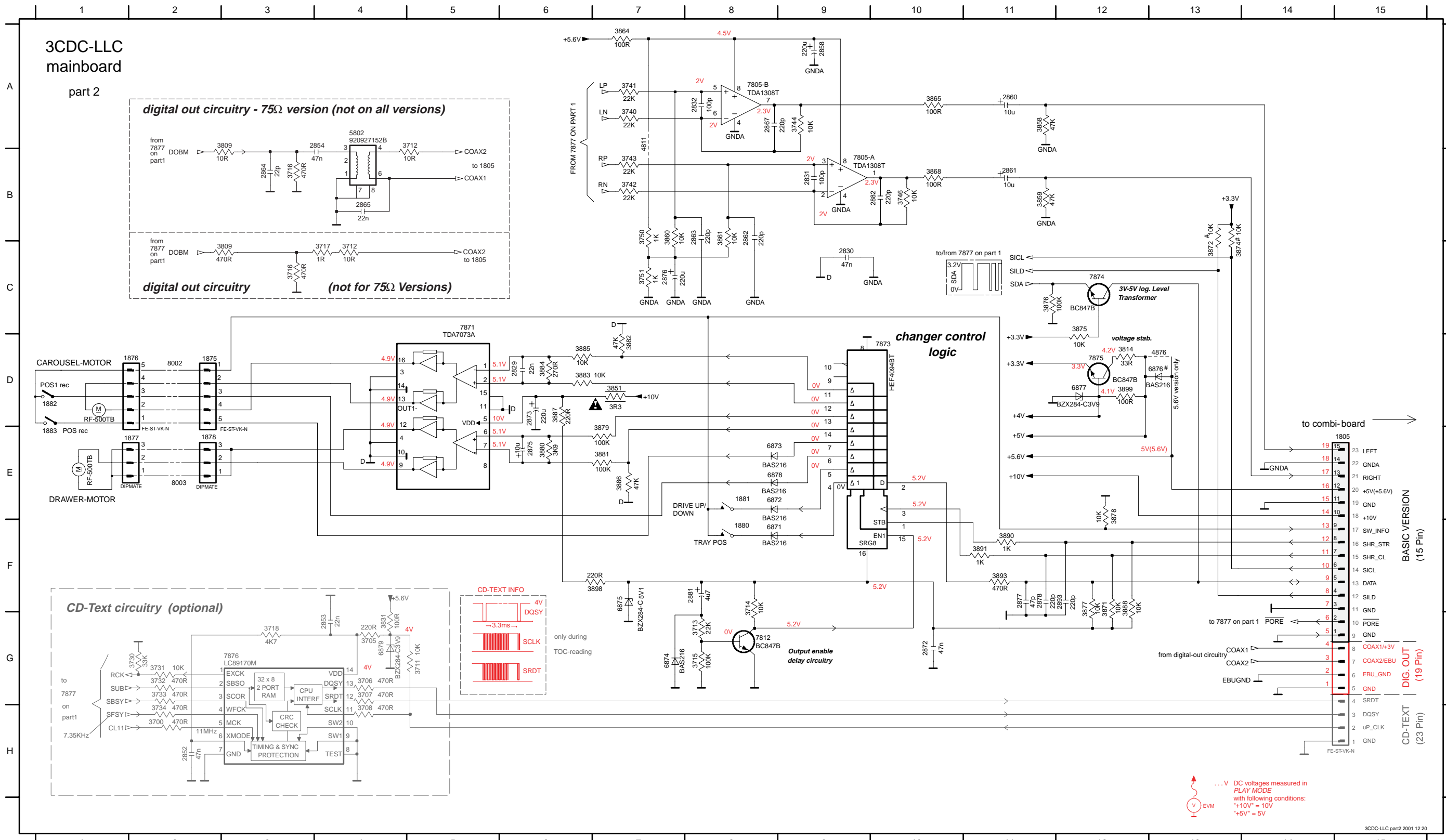
Mapping

Copperside		Componentside	
2800 E3	3741 C4	3889 C2	1800 F2
2801 D4	3742 C4	3890 H2	1801 C5
2802 E4	3743 C3	3891 H2	1805 A2
2803 D4	3744 B4	3892 C2	1810 C2
2805 D4	3746 B3	3893 G2	1875 H1
2806 D4	3750 B4	3894 E4	1878 B3
2807 E4	3751 B4	3895 E3	1880 B5
2808 D4	3752 C4	3896 E4	1881 G1
2810 E4	3753 C4	3898 G2	2804 F3
2811 D4	3789 F2	3899 D5	2809 E4
2812 G3	3790 F3	3900 E3	2826 D3
2813 F3	3791 F2	3901 F3	2828 D4
2814 F2	3792 F3	3904 E3	2837 E5
2815 E4	3793 F3	3905 B3	2838 F2
2816 C3	3794 F3	4800 A5	2839 E5
2817 F3	3795 E2	4801 A4	2851 C2
2818 C4	3796 F2	4802 A4	2858 B2
2819 F2	3798 E4	4803 B2	2860 B1
2820 F3	3799 E4	4804 A5	2861 B1
2822 E3	3800 E3	4805 A5	2873 H2
2823 E3	3801 E4	4806 A5	2875 G3
2824 E3	3802 F4	4807 A5	2876 B2
2825 E3	3803 D4	4808 B4	2881 G3
2829 H3	3804 C3	4811 B4	2885 D2
2830 C4	3805 D4	4812 B4	2888 F4
2831 B3	3806 D4	4814 D3	3812 F4
2832 C4	3807 D4	4817 A3	3815 G3
2833 C4	3808 D4	4818 A3	3835 F5
2834 D4	3809 D2	4819 A3	3851 G2
2835 E2	3811 F4	4820 C4	3852 E5
2836 D4	3813 F4	4821 B2	5802 B4
2840 D1	3814 D4	4822 C5	7806 F5
2841 E2	3818 F3	4823 A4	7807 D5
2842 F2	3819 C3	4824 C5	7871 H3
2844 E2	3820 F3	4825 B3	
2850 C3	3821 F3	4826 C3	
2852 C2	3822 F3	4828 C2	
2853 D2	3825 E3	4829 B2	
2854 D2	3826 E3	4830 E2	
2855 E4	3827 D4	4831 H4	
2856 C3	3828 D2	4832 D2	
2857 E2	3831 C2	4833 E3	
2862 C4	3832 C3	4834 E4	
2863 C4	3833 F4	4835 F4	
2864 D2	3834 F4	4838 E4	
2865 B3	3837 D2	4840 F4	
2867 B4	3838 D2	4841 G2	
2869 F4	3839 E2	4842 E3	
2872 G2	3840 E3	4844 E4	
2877 H1	3841 D2	4845 F4	
2878 H1	3842 D2	4846 F3	
2882 B3	3843 E2	4847 F4	
2887 C4	3844 F2	4848 F4	
2891 G2	3845 D2	4850 G3	
2893 H1	3846 E2	4876 C5	
2894 F2	3847 G2	6871 H1	
2895 E3	3849 E2	6872 H2	
2896 C3	3850 E1	6873 H2	
2897 C2	3853 E4	6874 G3	
3700 D2	3858 B5	6875 G2	
3701 G4	3859 B5	6876 C5	
3702 G4	3860 B4	6877 C4	
3703 G4	3861 C4	6878 H2	
3704 F3	3862 C4	6879 C2	
3705 C2	3863 D2	7802 F4	
3706 C1	3864 C4	7803 F2	
3707 C2	3865 B4	7805 B4	
3708 C2	3866 B5	7808 F3	
3709 C3	3867 C4	7809 F3	
3710 F4	3868 B5	7810 E2	
3711 C2	3869 B5	7812 G3	
3712 A3	3870 F4	7873 H2	
3713 G3	3871 H1	7874 C2	
3714 G2	3872 B3	7875 D4	
3715 G2	3873 C3	7876 C2	
3716 D2	3874 B3	7877 D3	
3717 D2	3875 C2		
3718 C2	3876 C2		
3719 F3	3877 H1		
3720 E2	3878 A5		
3721 E2	3879 H3		
3723 F2	3880 G3		
3724 F2	3881 G2		
3725 E2	3882 H2		
3730 C3	3883 H3		
3731 C2	3884 H3		
3732 C2	3885 H3		
3733 C2	3886 H2		
3734 D2	3887 G2		
3740 C4	3888 H1		



This assembly drawing shows a summary of all possible versions. For components used in a specific version see schematic diagram respectively partlist.

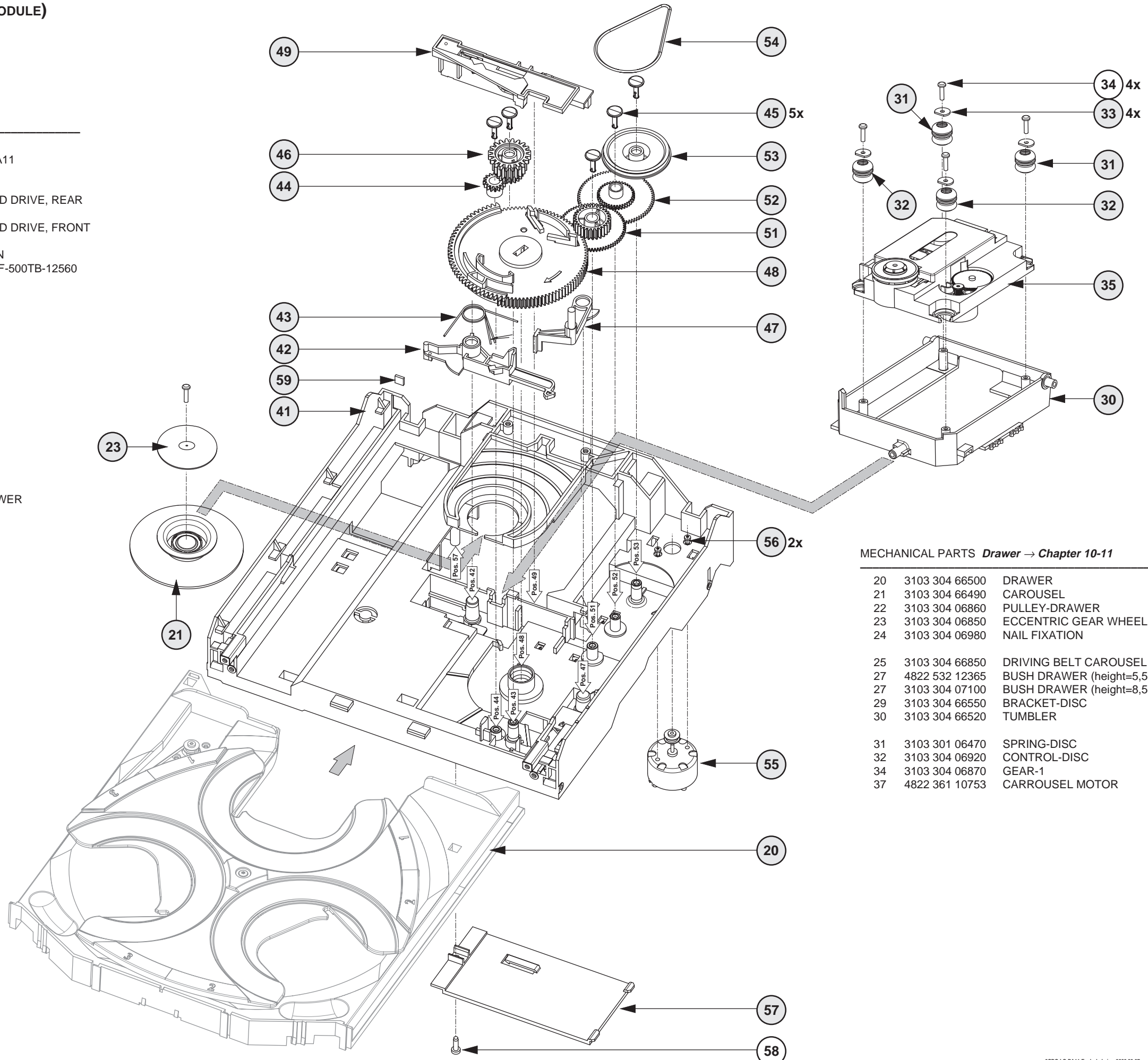
1805 E15	2830 C9	2858 A9	2865 C4	2877 F11	3705 G4	3713 G8	3730 G2	3741 A7	3751 C7	3851 D7	3865 A10	3874 C13	3880 E6	3886 E7	3898 F7	4876 D13	6875 F7	7805-B A8	7876 G3	MP726 D8	MP804 G14	MP811 F14	MP832 G9	MP863 C11	MP871 D6	MP888 G5	MP898 E13
1875 D2	2831 B9	2860 A11	2867 A8	2878 F11	3706 G4	3714 F8	3731 G2	3742 B7	3752 A6	3858 A11	3866 A10	3875 C12	3881 E7	3887 D6	3899 D12	5802 B4	6876 D13	7812 G8	MP721 C8	MP740 H14	MP805 F13	MP822 E3	MP833 F14	MP865 D11	MP874 D12	MP889 G5	MP899 E14
1878 E2	2832 A8	2861 B11	2872 G10	2881 F8	3707 G4	3715 G8	3732 G2	3743 B7	3753 A6	3859 B11	3868 B10	3876 C11	3882 D7	3888 F12	3905 C5	6871 F8	6877 D12	7871 C5	MP722 E8	MP741 G14	MP806 F13	MP823 E3	MP835 F14	MP866 E8	MP881 G2	MP890 B3	
1880 F8	2832 H2	2862 B8	2873 D6	2882 B10	3708 H4	3716 B3	3733 G2	3744 A9	3809 B2	3860 B7	3869 B10	3877 F12	3883 D6	3889 F11	4803 B4	6872 E8	6878 E8	7873 D10	MP723 D8	MP742 G14	MP807 F14	MP824 D4	MP854 A13	MP867 E8	MP882 G2	MP891 B5	
1881 E8	2853 G4	2863 B8	2875 E6	2893 F12	3711 G5	3717 B3	3734 H2	3746 B10	3814 D12	3861 B8	3871 F12	3878 E12	3884 D6	3891 F11	4811 A7	6873 E8	6879 G4	7874 C12	MP724 D8	MP801 E12	MP808 F13	MP825 D4	MP856 E14	MP868 F8	MP886 G3	MP892 B5	
2829 D6	2854 B3	2864 B3	2876 C7	3700 H2	3712 B4	3718 G3	3740 A7	3750 B7	3831 G4	3864 A7	3872 C13	3879 D7	3885 D6	3893 F11	4812 B7	6874 G7	7805-A B9	7875 D12	MP725 D8	MP803 F10	MP810 F13	MP830 A7	MP857 B13	MP869 C12	MP887 H5	MP897 E13	



EXPLODED VIEW (3CDC-LC MODULE)

MECHANICAL PARTS Loader → this page

20	3103 304 66500	DRAWER
21	3140 114 29070	PRESSURE RING-DA11
23	3140 111 21270	METAL RING-DA11
30	3103 304 66560	SUPPORT
31	4822 529 10386	RUBBER DAMPER CD DRIVE, REAR
32	4822 529 10387	RUBBER DAMPER CD DRIVE, FRONT
33	3103 304 06970	WASHER
35	3103 309 05310	CD DRIVE DA11T3CN
36	3104 119 40010	MOTOR MABUCHI RF-500TB-12560
37	4822 361 10753	CAROUSEL MOTOR
41	3103 304 66480	FRAME
42	3103 304 66540	BRACKET-GUIDING
43	3103 301 06460	SPRING-GUIDING
44	3103 304 06890	GEAR-3
45	3103 304 06980	NAIL FIXATION
46	3103 304 06880	GEAR-2
47	3103 304 66530	BRACKET-LOAD
48	3103 304 06910	CAM
49	3103 304 66510	GUIDING
51	3103 304 06900	GEAR-4
52	3103 304 06870	GEAR-1
53	3103 304 06960	PULLEY-FRAME
54	3103 304 66910	DRIVING-BELT-DRAWER
55	4822 361 10753	TRAY MOTOR
56	4822 502 12548	SCREW M2,6X3,5
57	3103 304 69880	COVER-DA11
59	4822 466 12146	RUBBER

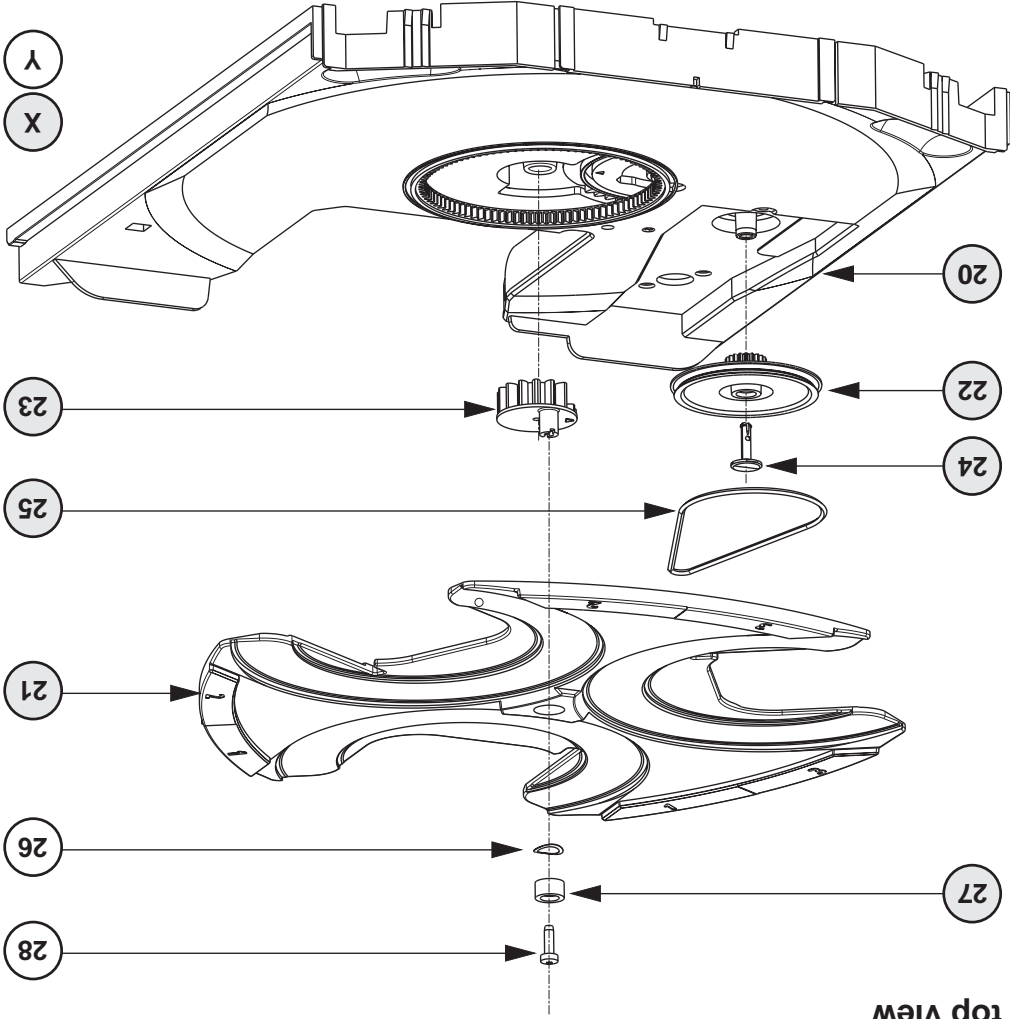


MECHANICAL PARTS Drawer → Chapter 10-11

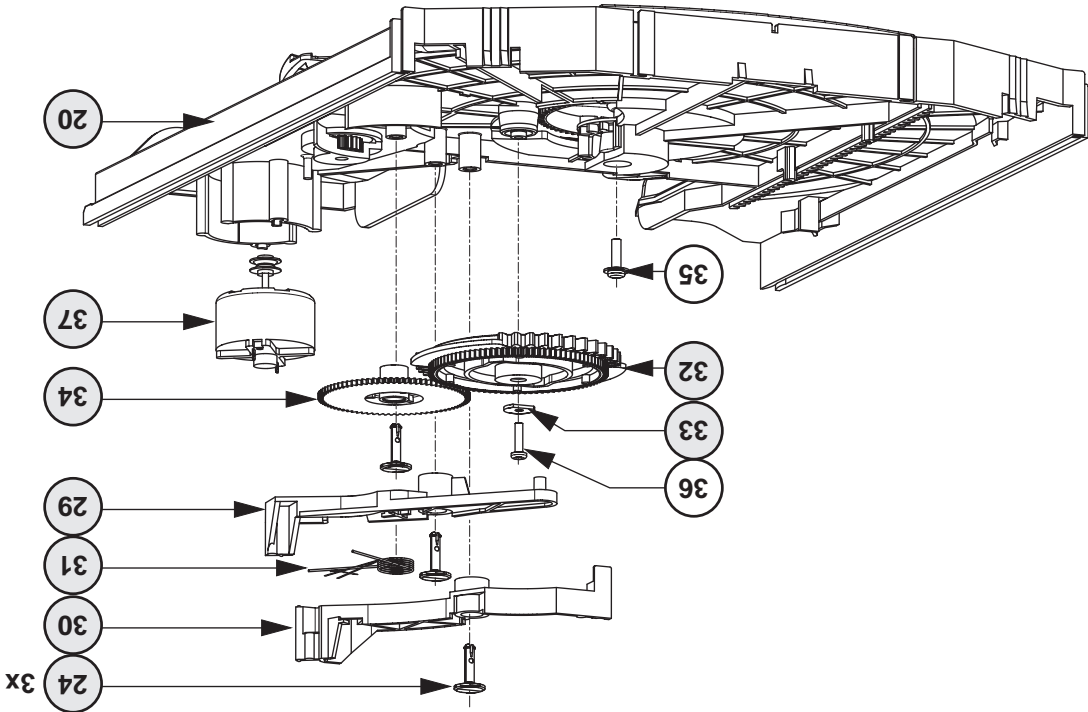
20	3103 304 66500	DRAWER
21	3103 304 66490	CAROUSEL
22	3103 304 06860	PULLEY-DRAWER
23	3103 304 06850	ECCENTRIC GEAR WHEEL
24	3103 304 06980	NAIL FIXATION
25	3103 304 66850	DRIVING BELT CAROUSEL
27	4822 532 12365	BUSH DRAWER (height=5,5mm,d=9,4mm)
27	3103 304 07100	BUSH DRAWER (height=8,5mm,d=16mm)
29	3103 304 66550	BRACKET-DISC
30	3103 304 66520	TUMBLER
31	3103 301 06470	SPRING-DISC
32	3103 304 06920	CONTROL-DISC
34	3103 304 06870	GEAR-1
37	4822 361 10753	CARROUSEL MOTOR

- X** spare part
- Y** non spare part

Y non spare part
X spare part



Drawer top view



Drawer bottom view

MISCELLANEOUS		CAPACITORS	
35	3103 309 05310	CD DRIVE DA11T3CN	4822 124 11947
37	4822 361 10753	CAROUSEL MOTOR	10µF 20%
55	4822 361 10753	TRAY MOTOR	220pF 5%
1800	2422 025 17389	FLEX FOIL CONNECTOR 16Pm	22nF 10%
1805	4822 265 10979	FLEX FOIL CONNECTOR 15Pm	220pF 5%
1805	4822 265 10979	FLEX FOIL CONNECTOR 15Pm	220pF 5%
1805	4822 265 11545	FLEX FOIL CONNECTOR 19Pm	47nF 5%
1875	4822 267 10958	FLEX FOIL CONNECTOR 5Pm	220µF 20%
1876	2422 025 08332	FLEX FOIL CONNECTOR 5Pm	220µF 20%
1880	4822 276 13503	SWITCH, Tray switch	220pF 20%
1881	4822 276 13503	SWITCH, Drive UP/DOWN	220pF 20%
1882	4822 276 13503	SWITCH, CD Pos, 1 recognized	47µF 20%
1883	4822 276 13503	SWITCH, valid CD Play position	220pF 5%
8002	3103 308 91990	FLEX FOIL CABLE 5P 200mm 1:n	220pF 5%
8005	3103 308 92930	FLEX FOIL CABLE 16P 170mm 1:n	220pF 5%
2800	4822 126 10326	180pF 5%	47Ω 5%
2801	4822 126 13883	220pF 5%	47Ω 5%
2802	4822 126 10326	180pF 5%	47Ω 5%
2803	4822 126 13883	220pF 5%	1Ω 5%
2804	4822 124 41751	47µF 20%	3704
2805	4822 126 13883	220pF 5%	3703
2806	4822 126 13883	220pF 5%	3702
2807	4822 126 10326	180pF 5%	3701
2808	4822 126 13883	220pF 5%	4822 051 20479
2809	4822 124 40746	0.22µF 20%	4822 051 20479
2810	4822 126 10326	180pF 5%	4822 051 20479
2811	4822 126 13883	220pF 5%	4822 051 20479
2812	2222 867 15339	33pF 5%	4822 117 12917
2813	4822 126 14226	82pF 5%	4822 117 10834
2814	2238 780 59861	680nF 10%	4822 117 10834
2815	4822 126 10326	180pF 5%	4822 051 30103
2816	4822 126 14247	1.5nF 10%	4822 117 13632
2817	4822 126 14249	560pF 10%	4822 051 30102
2818	4822 126 13344	1.5nF 5%	4822 051 20474
2819	5322 126 11578	1nF 10%	4822 051 20393
2820	4822 126 14305	100nF 10%	39kΩ 5%
2821	4822 126 14305	100nF 10%	2.7kΩ 5%
2822	4822 122 33127	2.2nF 10%	8.2kΩ 1%
2823	4822 122 33777	47pF 5%	180kΩ 5%
2824	4822 126 13751	47nF 10%	33kΩ 5%
2825	5322 126 11582	6.8nF 10%	22kΩ 5%
2826	4822 124 12362	47µF 20%	22kΩ 5%
2827	4822 124 12362	47µF 20%	22kΩ 5%
2828	4822 124 12362	47µF 20%	22kΩ 5%
2829	3198 017 42230	22nF 10%	22kΩ 5%
2830	4822 126 13751	47nF 10%	10kΩ 5%
2831	4822 122 31765	100pF 5%	10kΩ 5%
2832	4822 122 31765	100pF 5%	1kΩ 5%
2835	3198 024 44730	47nF 5%	1kΩ 5%
2836	3198 024 44730	47nF 5%	470Ω 5%
2837	4822 124 40433	47µF 20%	560Ω 5%
2838	4822 124 40248	10µF 20%	560Ω 5%
2839	4822 124 40433	47µF 20%	1.5kΩ 5%
2840	4822 126 14585	100nF 10%	3.3kΩ 5%
2841	5322 126 10511	1nF 5%	3.3kΩ 5%
2842	4822 126 14247	1.5nF 10%	2.2kΩ 5%
2844	3198 016 31020	1nF 5%	2.2kΩ 5%
2850	5322 126 11578	1nF 10%	3.3kΩ 5%
2851	4822 124 42383	220µF 20%	1kΩ 5%
2855	4822 126 10326	180pF 5%	1kΩ 5%
2856	4822 126 13691	27pF 1%	47kΩ 1%
2857	5322 126 11583	10nF 10%	47kΩ 1%
2858	4822 124 12245	220µF 20%	47kΩ 1%
2860	4822 124 11947	10µF 20%	10kΩ 5%
3796	4822 051 30332	3796	4822 051 30332
3797	4822 051 30332	3797	4822 051 30332
3798	4822 051 30102	3798	4822 051 30102
3799	4822 051 30102	3799	4822 051 30102
3800	4822 117 10834	3800	4822 117 10834
3801	4822 051 30103	3801	4822 051 30103
3802	4822 117 10834	3802	4822 117 10834
3803	4822 117 10833	3803	4822 117 10833
3804	4822 051 30103	3804	4822 051 30103

RESISTORS		RESISTORS	
3885	4822 117 10833	10kΩ	5%
3886	4822 117 12925	47kΩ	1%
3887	4822 051 30221	10kΩ	5%
3888	4822 117 10833	10kΩ	1%
3811	4822 117 10834	47kΩ	1%
3812	4822 053 10228	2.2Ω	5%
3813	4822 117 13608	4.7Ω	5%
3814	4822 051 30339	3Ω	5%
3815	4822 052 10478	4.7Ω	5%
3818	4822 051 30222	2.2kΩ	5%
3819	4822 051 20471	470Ω	5%
3820	4822 051 30222	2.2kΩ	5%
3821	4822 051 30222	2.2kΩ	5%
3822	4822 051 30222	2.2kΩ	5%
3825	4822 051 10102	1kΩ	2%
3826	4822 051 30223	22kΩ	5%
3827	4822 051 20273	27kΩ	5%
3828	4822 051 20223	22kΩ	5%
3831	4822 051 30101	100Ω	5%
3832	4822 051 30103	10kΩ	5%
3833	4822 051 20393	39kΩ	5%
3834	4822 051 20393	39kΩ	5%
3835	4822 052 10478	4.7Ω	5%
3837	4822 051 10102	1kΩ	2%
3838	4822 051 30102	1kΩ	5%
3839	4822 051 20124	120kΩ	5%
3840	4822 051 30124	120kΩ	5%
3841	4822 117 10833	10kΩ	1%
3842	4822 117 10833	10kΩ	1%
3843	4822 117 10834	47kΩ	1%
3844	4822 051 30332	3.3kΩ	5%
3845	4822 117 10833	10kΩ	1%
3846	4822 117 10834	47kΩ	1%
3847	4822 051 30472	4.7kΩ	5%
3849	4822 051 20334	330kΩ	5%
3850	4822 051 30103	10kΩ	5%
3851	4822 052 10338	3.3Ω	5%
3852	4822 052 10228	2.2Ω	5%
3853	4822 051 20471	470Ω	5%
3858	4822 117 12925	47kΩ	1%
3859	4822 117 10834	47kΩ	1%
3860	4822 117 10833	10kΩ	1%
3861	4822 051 30103	10kΩ	5%
3862	4822 051 20121	120Ω	5%
3863	4822 117 11373	100Ω	1%
3864	4822 117 11373	100Ω	1%
3865	4822 051 30101	100Ω	5%
3867	4822 051 30121	120Ω	5%
3868	4822 051 30101	100Ω	5%
3870	4822 051 20472	4.7kΩ	5%
3871	4822 051 30103	10kΩ	5%
3873	4822 051 20471	470Ω	5%
3875	4822 051 30103	10kΩ	5%
3876	4822 117 13632	100kΩ	1%
3877	4822 051 30103	10kΩ	5%
3878	4822 051 30103	10kΩ	5%
3879	4822 117 10837	100kΩ	1%
3880	4822 051 30392	3.9kΩ	5%
3881	4822 117 13632	100kΩ	1%
3882	4822 117 12925	47kΩ	1%
3883	4822 117 10833	10kΩ	1%
3884	4822 051 30271	270Ω	5%
4846	4822 051 20008	10kΩ	5%
4847	4822 051 20008	10kΩ	5%
4848	4822 051 20008	10kΩ	5%
4850	4822 051 20008	10kΩ	1%
4845	4822 051 20008	10kΩ	5%
4846	4822 051 20008	10kΩ	5%
4847	4822 051 20008	10kΩ	5%
4848	4822 051 20008	10kΩ	5%
4849	4822 051 20008	10kΩ	5%
4850	4822 051 20008	10kΩ	5%
4851	4822 051 20008	10kΩ	5%
4852	4822 051 20008	10kΩ	5%
4853	4822 051 20008	10kΩ	5%
4854	4822 051 20008	10kΩ	5%
4855	4822 051 20008	10kΩ	5%
4856	4822 051 20008	10kΩ	5%
4857	4822 051 20008	10kΩ	5%
4858	4822 051 20008	10kΩ	5%
4859	4822 051 20008	10kΩ	5%
4860	4822 051 20008	10kΩ	5%
4861	4822 051 20008	10kΩ	5%
4862	4822 051 20008	10kΩ	5%
4863	4822 051 20008	10kΩ	5%
4864	4822 051 20008	10kΩ	5%
4865	4822 051 20008	10kΩ	5%
4866	4822 051 20008	10kΩ	5%
4867	4822 051 20008	10kΩ	5%
4868	4822 051 20008	10kΩ	5%
4869	4822 051 20008	10kΩ	5%
4870	4822 051 20008	10kΩ	5%
4871	4822 051 20008	10kΩ	5%
4872	4822 051 20008	10kΩ	5%
4873	4822 051 20008	10kΩ	5%
4874	4822 051 20008	10kΩ	5%
4875	4822 051 20008	10kΩ	5%
4876	4822 051 20008	10kΩ	5%
4877	4822 051 20008	10kΩ	5%
4878	4822 051 20008	10kΩ	5%
4879	4822 051 20008	10kΩ	5%
4880	4822 051 20008	10kΩ	5%
4881	4822 051 20008	10kΩ	5%
4882	4822 051 20008	10kΩ	5%
4883	4822 051 20008	10kΩ	5%
4884	4822 051 20008	10kΩ	5%
4885	4822 051 20008	10kΩ	5%
4886	4822 051 20008	10kΩ	5%
4887	4822 051 20008	10kΩ	5%
4888	4822 051 20008	10kΩ	5%
4889	4822 051 20008	10kΩ	5%
4890	4822 051 20008	10kΩ	5%
4891	4822 051 20008	10kΩ	5%
4892	4822 051 20008	10kΩ	5%
4893	4822 051 20008	10kΩ	5%
4894	4822 051 20008	10kΩ	5%
4895	4822 051 20008	10kΩ	5%
4896	4822 051 20008	10kΩ	5%
4897	4822 051 20008	10kΩ	5%
4898	4822 051 20008	10kΩ	5%
4899	4822 051 20008	10kΩ	5%
4900	4822 051 20008	10kΩ	5%

COILS	
1810	4822 242 73557 CERAMIC RES. 8.46MHZ
DIODES	
6871	4822 130 11397 BAS316
6872	4822 130 11397 BAS316
6873	4822 130 11397 BAS316
6874	4822 130 11397 BAS316
6875	9340 548 52115 BZX284-C5V1
6877	9322 129 34685 BZX284-C3V9
6878	4822 130 11397 BAS316
6879	9322 129 34685 BZX284-C3V9
TRANSISTORS	
7802	5322 130 60123 BC807-40
7808	4822 130 60511 BC847B
7809	4822 130 60511 BC847B
7810	4822 130 60511 BC847B
7812	4822 130 60511 BC847B
7874	4822 130 60511 BC847B
7875	4822 130 60511 BC847B
INTEGRATED CIRCUITS	
7803	5322 209 82941 LM358D, Dual Opamp
7805	4822 209 33165 TDA1308T/N1, Dual Opamp
7806	4822 209 32852 TDA7073A/N2, Servo Driver
7807	4822 209 32852 TDA7073A/N2, Motor Driver
7871	4822 209 32852 TDA7073A/N2, Motor Driver
7873	5322 209 11306 HEF4094BT, SHIFT REGISTER
7877	9352 641 80557 SAA7324H/M2B, "CD10" SIGN.PROC.

Service
Service
Service

Product Service Group CE Audio

Service Information

Already published Service Informations:

CORRECTION TO SERVICE MANUAL

Front Page content:

The correct 3-CDC Module should be 3CDC-LLC-MCD1
instead of 3CDC-LLC-MB

CHANGES DURING PRODUCTION

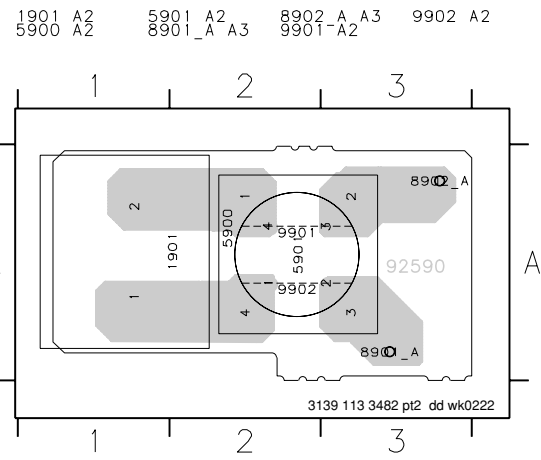
MMPWR 100W Module

- * From wk152 onwards a new Spring, Trans is introduced to clamp IC7257 (L7805CP) onto heatsink instead of direct screw mounting. This spring, Trans is available under service code: 4822 492 11735
- * From wk218 onwards a new pt 5 Left/Right & Power Supply board is introduced due to addition of diode 6999 into same location as 9495. This change is for other set application & can be recognized by printing mark113_34345_01/...
- * From wk218 onwards new Mains & Mains socket pc boards is introduced due to process improvement. The board can be recognized by printing mark3139_113_34822_01.

New pc board layout drawing is enclosed.

MAINS SOCKET - COPPER SIDE VIEW

MAINS BOARD - COPPER SIDE VIEW



1902 C1	1926 A2	2925 B5	2944 A7	3905 D7	3953 C8	5910 B2	6901 D6	6917 D8	7901 D7	9704 B3	9718 D2	9736 B6	9750 B7	9910 D7
1903 D5	2901 D6	2926 B5	2945 A8	3906 D7	3954 C8	5911 B2	6902 D6	6918 D8	7902 D7	9705 B3	9719 D2	9737 B6	9751 B7	9911 B4
1904 D6	2902 C6	2927 A6	2946 A8	3907 C7	3955 C8	5912 B2	6903 D6	6919 B5	7911 D7	9706 B3	9720 A3	9738 B6	9752 C8	9912 A4
1905 C1	2903 C6	2928 B7	2947 A8	3908 D8	5004 D3	5913 B3	6904 C6	6920 B5	7912 C8	9707 B3	9721 A4	9739 B6	9753 C8	9913 B3
1911 B8	2904 D6	2929 A5	2948 C8	3909 D7	5005 D3	5914 D8	6905 D7	6921 A7	7915 C8	9708 B3	9722 A4	9741 B7	9754 C7	9914 A3
1912 B8	2905 D6	2930 A5	2949 A8	6906 D7	5006 D3	5915 B3	6906 D7	6922 A7	7916 C8	9709 B2	9723 A4	9742 C7	9755 C7	9915 A7
1913 B8	2911 D8	2931 A4	2953 C8	6907 D6	5007 D3	5916 B3	6907 D6	6923 A7	8230 A4	9710 B2	9724 A4	9743 C7	9759 A5	9916 C7
1914 B7	2912 D8	2932 A4	2954 A8	6908 C7	5008 D2	5917 B3	6908 C7	6924 A7	8901 B B1	9711 B2	9725 B6	9744 A8	9760 B4	9917 C7
1921 B4	2913 D8	2933 A6	2958 C6	6909 C7	5902 B1	5918 B4	6909 C7	6925 A7	8902 B B1	9712 D4	9726 D4	9745 B6	9900 D6	9920 A7
1922 B4	2921 A5	2934 B7	3901 C5	6910 C6	5903 D5	5919 B4	6910 C6	6926 A7	9700 B4 B1	9713 D3	9727 B5	9746 B6	9903 B1	9921 A7
1923 B3	2922 A5	2941 A7	3902 D5	6911 C7	5904 A8	5920 B4	6911 C7	6927 A7	9701 B4	9714 D3	9728 B5	9747 B6	9904 B1	9922 A7
1924 B3	2923 A5	2942 A7	3903 D7	6915 D8	5905 C6	5921 B4	6915 D8	6928 A7	9702 B4	9715 D3	9729 B5	9748 A6	9907 D5	9923 A7
1925 B2	2924 B5	2943 A7	3904 D7	6916 D8	5906 B1	6900 D7	6916 D8	6956 A7	9703 B4	9716 D3	9735 A7	9749 B8	9908 D6	9924 A8

